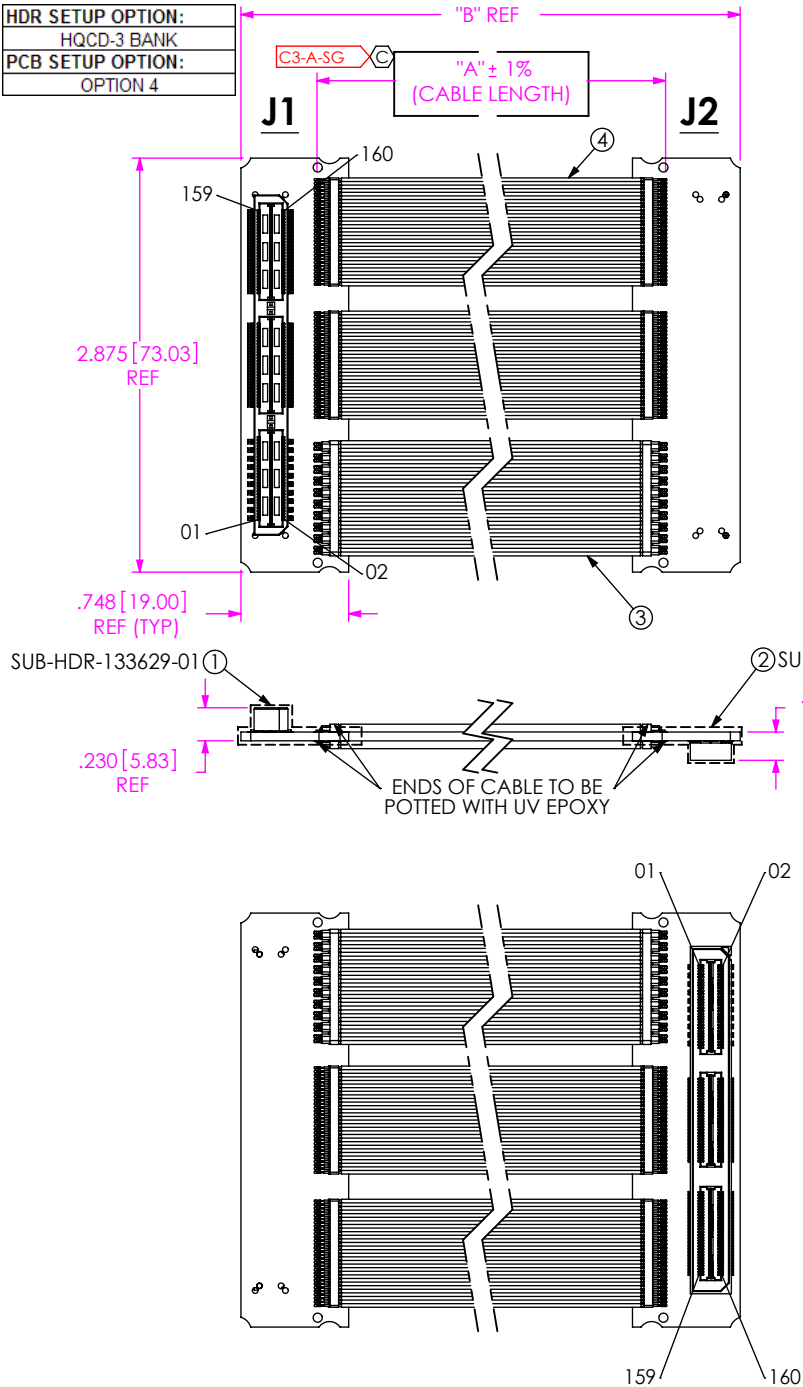
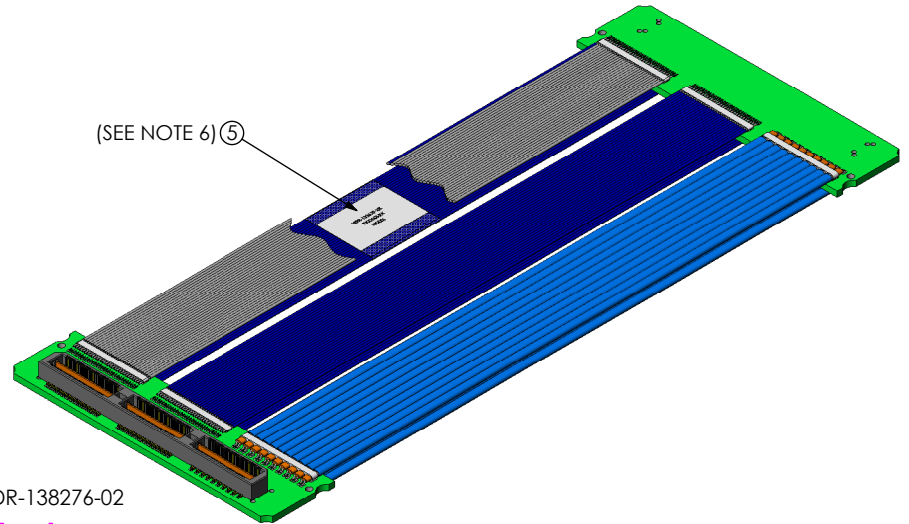


HDR-138276-XX-HQCD		
REVISION		
A	AC	D BERNARDI
3/5/2008 ECN-87215		
RELEASE FOR PRODUCTION		
B	AC	D BERNARDI
11/4/2010 ECN-142227		
UPDATED TO NEW STANDARD.		
C	NE	D BERNARDI
2/21/2011 ECN-148940		
DWG VIEWS: CHG LENGTHS TO "A" AND "B"; TABLE 2: ADD-02 AND -03 LENGTH OPTION; BOM: UPDATE ITEM 3 AND 4 LENGTH TO .XX.XX; NOTES: UPDATED NOTE 1 LENGTH TO .XX.XX, AND UPDATE TO NEW STANDARDS.		
D	AC	T SPINE
6/15/2011 ECN-156441		
SHT 2, SUB-02 VIEW: CHANGE PT-1-24-03-29 TO TP-1-24-02-143		

HDR SETUP OPTION:
HQCD-3 BANK
PCB SETUP OPTION:
OPTION 4



Pb THIS PRODUCT MANUFACTURED WITH LEAD-FREE PROCESSING



PART #	"A"	"B"
HDR-138276-01-HQCD	6.00 [152.4]	7.05 [179.1]
HDR-138276-02-HQCD	19.69 [500.1]	20.74 [526.8]
HDR-138276-03-HQCD	3.75 [95.3]	4.80 [121.9]

- NOTES:
1. DIFFERENTIAL PAIR & SINGLE-ENDED COMBO ARE NON-STANDARD. LIKE PART # HQCD-090-XX.XX-TTR5BR-1.
 2. 05 REPRESENTS A CRITICAL DIMENSION.
 3. PARTS TO BE PROCESSED PER SAMTEC BOUNDARY DOCUMENT GUIDELINES.
 4. ALL ASSEMBLIES TO BE 100% ELECTRICALLY TESTED.
 5. ALL ASSEMBLIES TO BE 100% HI-POT TESTED AT 300V.
 6. ITEMS TO BE CENTERED ON ITEMS AS SHOWN. ITEMS TO CONTAIN: LINE 1 - PART NUMBER "HDR-XXXXXX-XX"; LINE 2 - SHOP ORDER NUMBER "XXXXXX"; & LINE NUMBER "XX"; AND LINE 3 - DATE CODE "XXXXX". NUMERIC REVISION PRODUCT WILL HAVE ADDITIONAL LABEL INDICATING "RELEASE FOR LIMITED PRODUCTION".
 7. FOR PROCESSING INFORMATION ON SUB-ASSEMBLIES, REFERENCE SUB-HDR-138276-XX TRAVELER.XLS.
 8. FOR SUB-ASSEMBLY AND FINISHED GOOD PACKAGING REQUIREMENTS, REFERENCE PACKAGING STANDARD CO-HD-WI3033-IA.
 9. TIGHTEN STS-D1 FASTENERS TO 1.41-1.7 IN-LBS (4 PLCS).
 10. PANEL PCB-1008-41-HDR-XX YIELDS (10) PCB-1008-41-HDR-01 BOARDS.

C1-D-ET
C2-D-ET

TOLERANCES DO NOT APPLY TO REFERENCE DIMENSIONS, UNLESS OTHERWISE SPECIFIED. DIMENSIONS ARE IN INCHES. TOLERANCES ARE:
DECIMALS .XX: ±.01 [.3]
.XXX: ±.005 [.13]
.XXXX: ±.0020 [.051]

PROPRIETARY NOTE
THIS DOCUMENT CONTAINS INFORMATION CONFIDENTIAL AND PROPRIETARY TO SAMTEC, INC. AND SHALL NOT BE REPRODUCED OR TRANSFERRED TO OTHER DOCUMENTS OR DISCLOSED TO OTHERS OR USED FOR ANY PURPOSE OTHER THAN THAT WHICH IT WAS OBTAINED WITHOUT THE EXPRESSED WRITTEN CONSENT OF SAMTEC, INC.



520 PARK EAST BLVD, NEW ALBANY, IN 47150
PHONE: 812-944-6733 FAX: 812-948-5047
e-Mail: info@SAMTEC.com code: 55322

DO NOT SCALE DRAWING SHEET SCALE: 3:4

DESCRIPTION: CUSTOM HDR CABLE ASSEMBLY

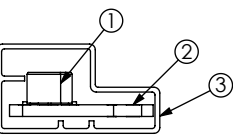
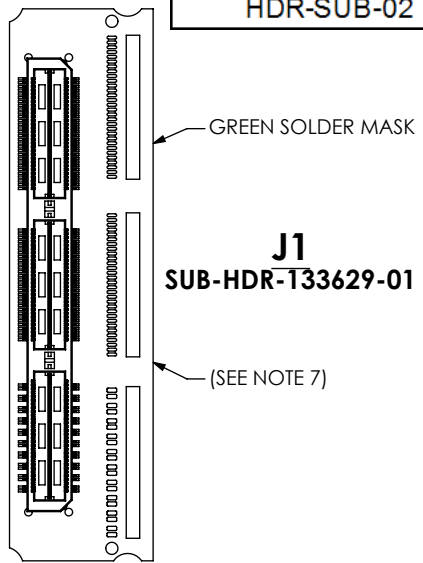
DWG. NO. HDR-138276-XX-HQCD

ITEM NO.	PART NUMBER	DESCRIPTION	QUANTITY	MATERIAL
1	SUB-HDR-133629-01	SUB ASSEMBLY	1	SUB ASSEMBLY
2	SUB-HDR-138276-02	SUB ASSEMBLY	1	SUB ASSEMBLY
3	SUB-TTF-30100-10-01-XX.XX	TWINAX CABLE	2	SUB ASSEMBLY
4	SUB-TCF-3850-30-01-XX.XX	COAX CABLE	4	SUB ASSEMBLY
5	HDRL-11	LABEL	1	SELF LAMINATING VINYL

REVISION D

Pb THIS PRODUCT MANUFACTURED WITH LEAD-FREE PROCESSING

**SUB SETUP OPTION:
HDR-SUB-02**

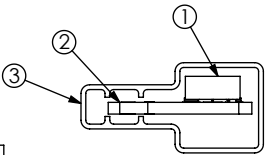
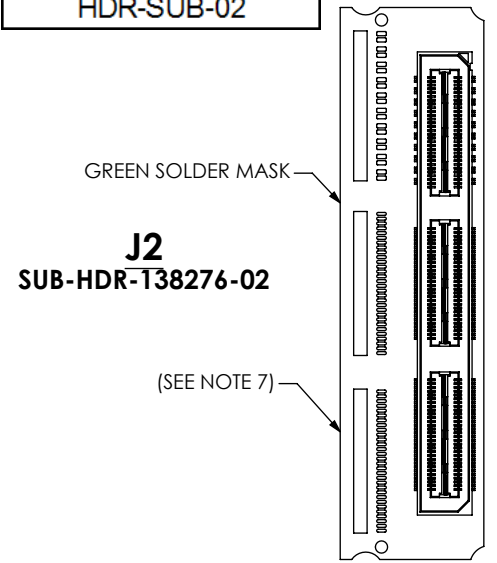


SUB-HDR-133629-01 BOM

ITEM NO.	PART NUMBER	QUANTITY	MATERIAL
1	ASP-122952-01	1	TERMINAL
2	PCB-100841-HDR-01	1	PCB
3	PT-1-24-03-29	.11111	TUBE
4	TP-07	.22222	PLUG

Pb THIS PRODUCT MANUFACTURED WITH LEAD-FREE PROCESSING

**SUB SETUP OPTION:
HDR-SUB-02**



D

SUB-HDR-138276-02 BOM

ITEM NO.	PART NUMBER	QUANTITY	MATERIAL
1	ASP-122953-01	1	TERMINAL
2	PCB-100841-HDR-01	1	PCB
3	PT-1-24-02-143	.11111	TUBE
4	TP-07	.22222	PLUG

**TABLE 1
SIGNAL MAPPING**

J1	SIG/GND	J2	J1	SIG/GND	J2	J1	SIG/GND	J2
1	SIGNAL (TWIN-AX)	1	55	SIGNAL (COAX)	55	109	SIGNAL (COAX)	109
2	SIGNAL (TWIN-AX)	2	56	SIGNAL (COAX)	56	110	SIGNAL (COAX)	110
3	SIGNAL (TWIN-AX)	3	57	SIGNAL (COAX)	57	111	SIGNAL (COAX)	111
4	SIGNAL (TWIN-AX)	4	58	SIGNAL (COAX)	58	112	SIGNAL (COAX)	112
5	SIGNAL (TWIN-AX)	5	59	SIGNAL (COAX)	59	113	SIGNAL (COAX)	113
6	SIGNAL (TWIN-AX)	6	60	SIGNAL (COAX)	60	114	SIGNAL (COAX)	114
7	SIGNAL (TWIN-AX)	7	61	SIGNAL (COAX)	61	115	SIGNAL (COAX)	115
8	SIGNAL (TWIN-AX)	8	62	SIGNAL (COAX)	62	116	SIGNAL (COAX)	116
9	SIGNAL (TWIN-AX)	9	63	SIGNAL (COAX)	63	117	SIGNAL (COAX)	117
10	SIGNAL (TWIN-AX)	10	64	SIGNAL (COAX)	64	118	SIGNAL (COAX)	118
11	SIGNAL (TWIN-AX)	11	65	SIGNAL (COAX)	65	119	SIGNAL (COAX)	119
12	SIGNAL (TWIN-AX)	12	66	SIGNAL (COAX)	66	120	SIGNAL (COAX)	120
13	SIGNAL (TWIN-AX)	13	67	SIGNAL (COAX)	67	121	SIGNAL (COAX)	121
14	SIGNAL (TWIN-AX)	14	68	SIGNAL (COAX)	68	122	SIGNAL (COAX)	122
15	SIGNAL (TWIN-AX)	15	69	SIGNAL (COAX)	69	123	SIGNAL (COAX)	123
16	SIGNAL (TWIN-AX)	16	70	SIGNAL (COAX)	70	124	SIGNAL (COAX)	124
17	SIGNAL (TWIN-AX)	17	71	SIGNAL (COAX)	71	125	SIGNAL (COAX)	125
18	SIGNAL (TWIN-AX)	18	72	SIGNAL (COAX)	72	126	SIGNAL (COAX)	126
19	SIGNAL (TWIN-AX)	19	73	SIGNAL (COAX)	73	127	SIGNAL (COAX)	127
20	SIGNAL (TWIN-AX)	20	74	SIGNAL (COAX)	74	128	SIGNAL (COAX)	128
21	SIGNAL (TWIN-AX)	21	75	SIGNAL (COAX)	75	129	SIGNAL (COAX)	129
22	SIGNAL (TWIN-AX)	22	76	SIGNAL (COAX)	76	130	SIGNAL (COAX)	130
23	SIGNAL (TWIN-AX)	23	77	SIGNAL (COAX)	77	131	SIGNAL (COAX)	131
24	SIGNAL (TWIN-AX)	24	78	SIGNAL (COAX)	78	132	SIGNAL (COAX)	132
25	SIGNAL (TWIN-AX)	25	79	SIGNAL (COAX)	79	133	SIGNAL (COAX)	133
26	SIGNAL (TWIN-AX)	26	80	SIGNAL (COAX)	80	134	SIGNAL (COAX)	134
27	SIGNAL (TWIN-AX)	27	81	SIGNAL (COAX)	81	135	SIGNAL (COAX)	135
28	SIGNAL (TWIN-AX)	28	82	SIGNAL (COAX)	82	136	SIGNAL (COAX)	136
29	SIGNAL (TWIN-AX)	29	83	SIGNAL (COAX)	83	137	SIGNAL (COAX)	137
30	SIGNAL (TWIN-AX)	30	84	SIGNAL (COAX)	84	138	SIGNAL (COAX)	138
31	SIGNAL (TWIN-AX)	31	85	SIGNAL (COAX)	85	139	SIGNAL (COAX)	139
32	SIGNAL (TWIN-AX)	32	86	SIGNAL (COAX)	86	140	SIGNAL (COAX)	140
33	SIGNAL (TWIN-AX)	33	87	SIGNAL (COAX)	87	141	SIGNAL (COAX)	141
34	SIGNAL (TWIN-AX)	34	88	SIGNAL (COAX)	88	142	SIGNAL (COAX)	142
35	SIGNAL (TWIN-AX)	35	89	SIGNAL (COAX)	89	143	SIGNAL (COAX)	143
36	SIGNAL (TWIN-AX)	36	90	SIGNAL (COAX)	90	144	SIGNAL (COAX)	144
37	SIGNAL (TWIN-AX)	37	91	SIGNAL (COAX)	91	145	SIGNAL (COAX)	145
38	SIGNAL (TWIN-AX)	38	92	SIGNAL (COAX)	92	146	SIGNAL (COAX)	146
39	SIGNAL (TWIN-AX)	39	93	SIGNAL (COAX)	93	147	SIGNAL (COAX)	147
40	SIGNAL (TWIN-AX)	40	94	SIGNAL (COAX)	94	148	SIGNAL (COAX)	148
41	SIGNAL (COAX)	41	95	SIGNAL (COAX)	95	149	SIGNAL (COAX)	149
42	SIGNAL (COAX)	42	96	SIGNAL (COAX)	96	150	SIGNAL (COAX)	150
43	SIGNAL (COAX)	43	97	SIGNAL (COAX)	97	151	SIGNAL (COAX)	151
44	SIGNAL (COAX)	44	98	SIGNAL (COAX)	98	152	SIGNAL (COAX)	152
45	SIGNAL (COAX)	45	99	SIGNAL (COAX)	99	153	SIGNAL (COAX)	153
46	SIGNAL (COAX)	46	100	SIGNAL (COAX)	100	154	SIGNAL (COAX)	154
47	SIGNAL (COAX)	47	101	SIGNAL (COAX)	101	155	SIGNAL (COAX)	155
48	SIGNAL (COAX)	48	102	SIGNAL (COAX)	102	156	SIGNAL (COAX)	156
49	SIGNAL (COAX)	49	103	SIGNAL (COAX)	103	157	SIGNAL (COAX)	157
50	SIGNAL (COAX)	50	104	SIGNAL (COAX)	104	158	SIGNAL (COAX)	158
51	SIGNAL (COAX)	51	105	SIGNAL (COAX)	105	159	SIGNAL (COAX)	159
52	SIGNAL (COAX)	52	106	SIGNAL (COAX)	106	160	SIGNAL (COAX)	160
53	SIGNAL (COAX)	53	107	SIGNAL (COAX)	107			
54	SIGNAL (COAX)	54	108	SIGNAL (COAX)	108			

PROPRIETARY NOTE
THIS DOCUMENT CONTAINS INFORMATION CONFIDENTIAL AND PROPRIETARY TO SAMTEC, INC. AND SHALL NOT BE REPRODUCED OR TRANSFERRED TO OTHER DOCUMENTS OR DISCLOSED TO OTHERS OR USED FOR ANY PURPOSE OTHER THAN THAT WHICH IT WAS OBTAINED WITHOUT THE EXPRESSED WRITTEN CONSENT OF SAMTEC, INC.



520 PARK EAST BLVD, NEW ALBANY, IN 47150
PHONE: 812-944-6733 FAX: 812-948-5047
e-Mail: info@SAMTEC.com code: 55322

DO NOT SCALE DRAWING

DESCRIPTION: CUSTOM HDR CABLE ASSEMBLY

DWG. NO. HDR-138276-XX-HQCD

BY: ANDREW C 03/05/2008 SHEET 2 OF 2

SHEET SCALE: 1:1